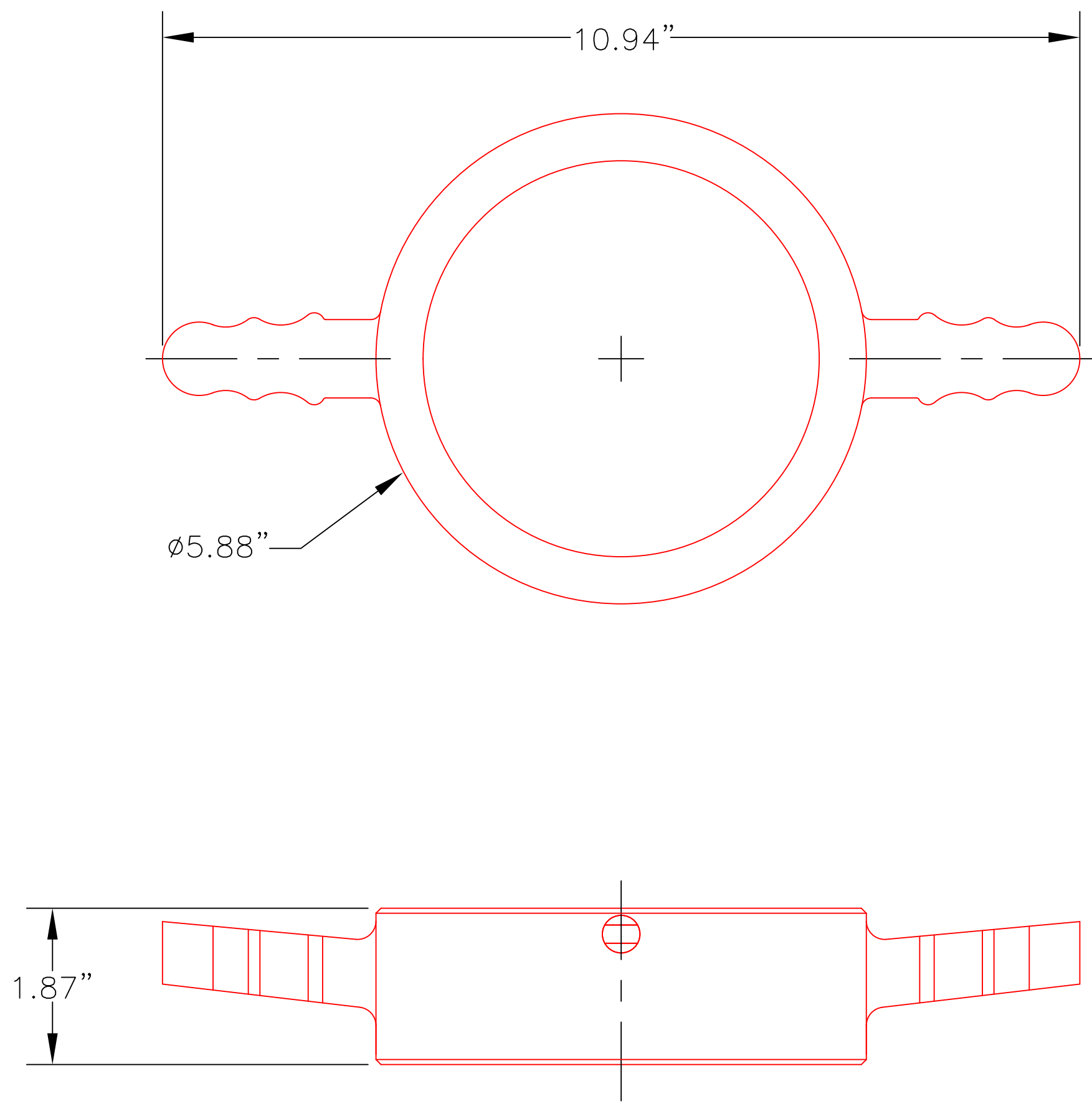


THE INFORMATION DISCLOSED HEREIN IS THE EXCLUSIVE PROPERTY OF HYDRA-SHIELD AND IS NOT TO BE REPRODUCED AND MUST BE TREATED AS CONFIDENTIAL MATERIAL.



TOLERANCES—UNLESS OTHERWISE NOTED ANGULAR $\pm 1^\circ$ FRACTION $\pm 1/16''$.XX ± 0.030 .XXX ± 0.010 MACHINE FINISH 125 ALL DIA. $\sqrt{.015 B}$ REMOVE ALL BURRS CORNERS $.06 \times 45^\circ$ FILLETS R.06					
	0	LAST CHANGE DATE 4/29/19			JPM
	REV.	DESCRIPTION	DATE	CHK'D	DRWN



4.0-4NH SWIVEL

SIZE	SCALE	SHEET NO.	REV. NO.	REF. NO.
	NONE	4.0A		521901