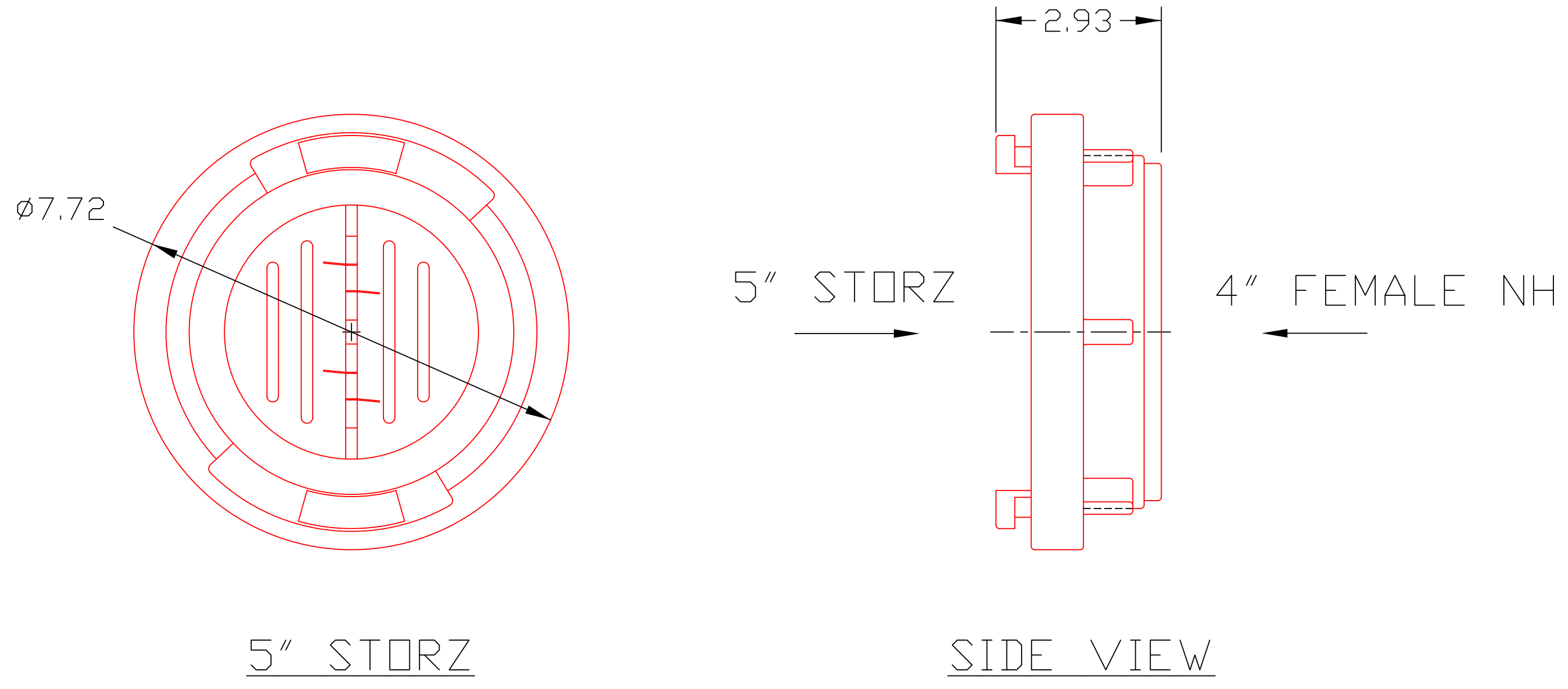


THE INFORMATION DISCLOSED HEREIN IS THE EXCLUSIVE PROPERTY OF FYRELANE USA AND IS NOT TO BE REPRODUCED AND MUST BE TREATED AS CONFIDENTIAL MATERIAL.

- NOTES: 1) ALL DIMENSIONS ARE IN INCHES.
 2) STORZ HEAD MATERIAL: 6061 FORGED ALUMINUM WITH T6 TEMPER.
 3) BUTTERFLY VANE MATERIAL: 302SS



5" STORZ

SIDE VIEW

TOLERANCES-UNLESS OTHERWISE NOTED ANGULAR $\pm 1^\circ$ FRACTION $\pm 1/16"$.XX ± 0.030 .XXX ± 0.010 MACHINE FINISH 125 ALL DIA. $\sqrt{.015 B}$ REMOVE ALL BURRS CORNERS $.06 \times 45^\circ$ FILLETS R.06						FYRELANE 8701 John Carpenter Frwy ? Suite 230 ? Dallas, Texas 75247 www.FyrelaneUSA.com			
							5" STORZ x 4.0" FEMALE NH ADAPTOR		
	0	RELEASED	5/25/18	JPM	SIZE	SCALE	SHEET NO.	REV. NO.	REF. NO.
	REV.	DESCRIPTION	DATE	CHK'D	DRWN	NONE			HYST-5.0-4.0NH