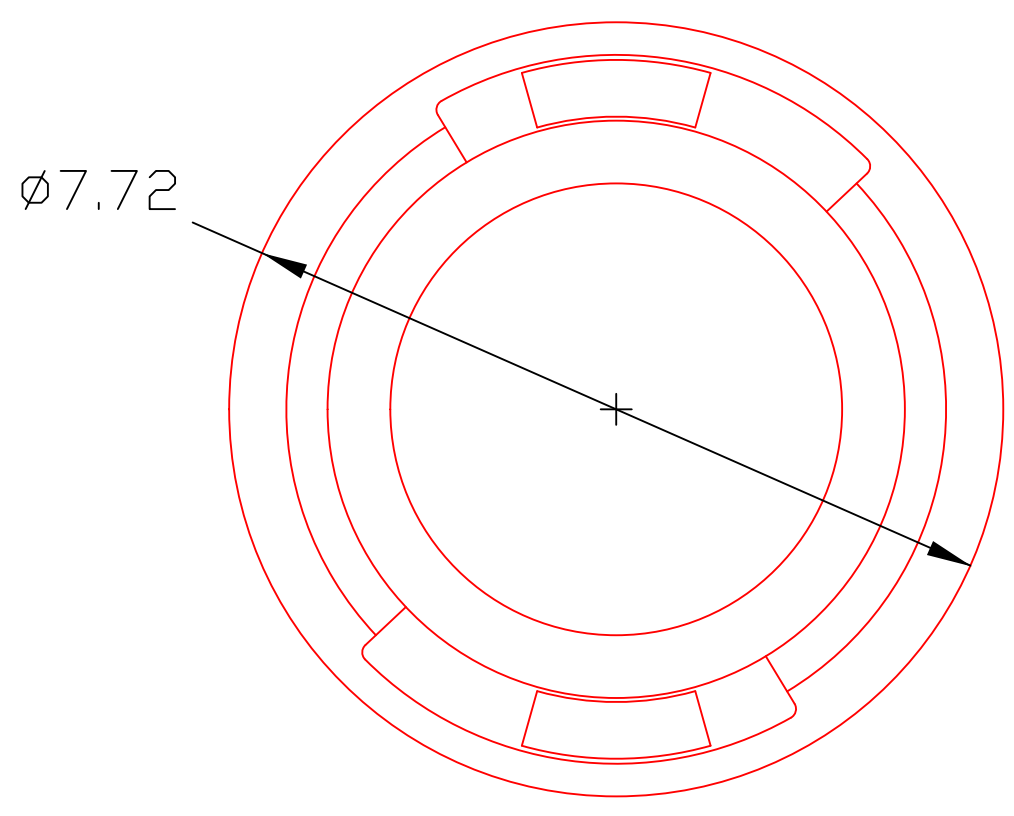
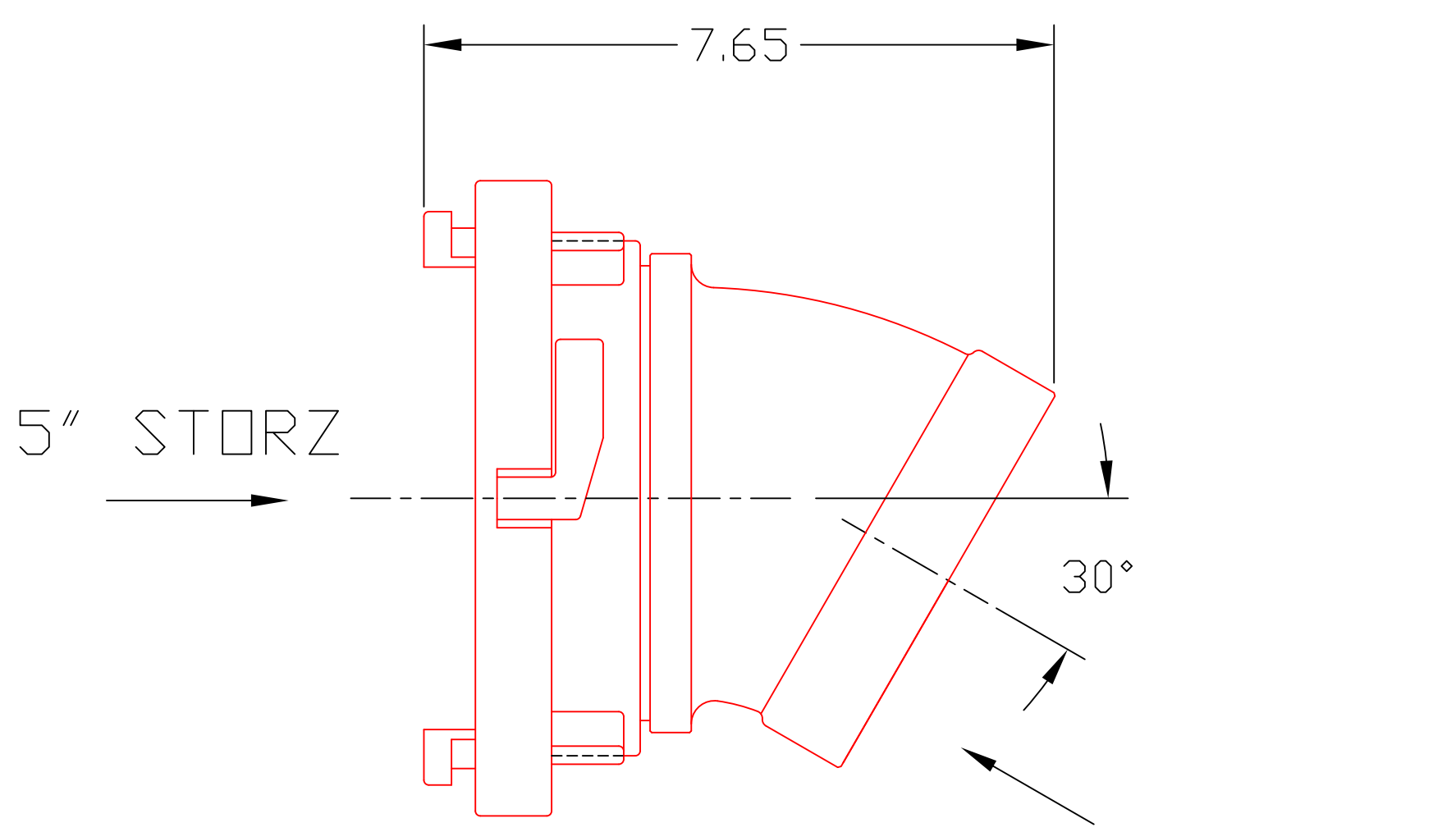


THE INFORMATION DISCLOSED HEREIN IS THE EXCLUSIVE PROPERTY OF FYRELANE USA AND IS NOT TO BE REPRODUCED AND MUST BE TREATED AS CONFIDENTIAL MATERIAL.

- NOTES: 1) ALL DIMENSIONS ARE IN INCHES.
 2) STORZ HEAD MATERIAL: 6061 FORGED ALUMINUM WITH T6 TEMPER.
 3) 4" ELBOW: A356-T6 ALUMINUM.



5" STORZ



SIDE VIEW

TOLERANCES-UNLESS OTHERWISE NOTED					
ANGULAR ±1°					
FRACTION ±1/16"					
.XX ±.030					
.XXX ±.010					
MACHINE FINISH 125					
ALL DIA. <input checked="" type="checkbox"/> .015 <input type="checkbox"/> B					
REMOVE ALL BURRS	0	RELEASED	5/25/18	JPM	
CORNERS .06x45°	REV.	DESCRIPTION	DATE	CHK'D	DRWN
FILLETS R.06					

FYRELANE
 8701 John Carpenter Frwy ? Suite 230 ? Dallas, Texas 75247
 www.FyrelaneUSA.com

5" STORZ x 4.0 FEMALE PIPE ADAPTOR

SIZE	SCALE	SHEET NO.	REV. NO.	REF. NO.
	NONE			ADPT-5.0ST-4.0FPT-30DEG