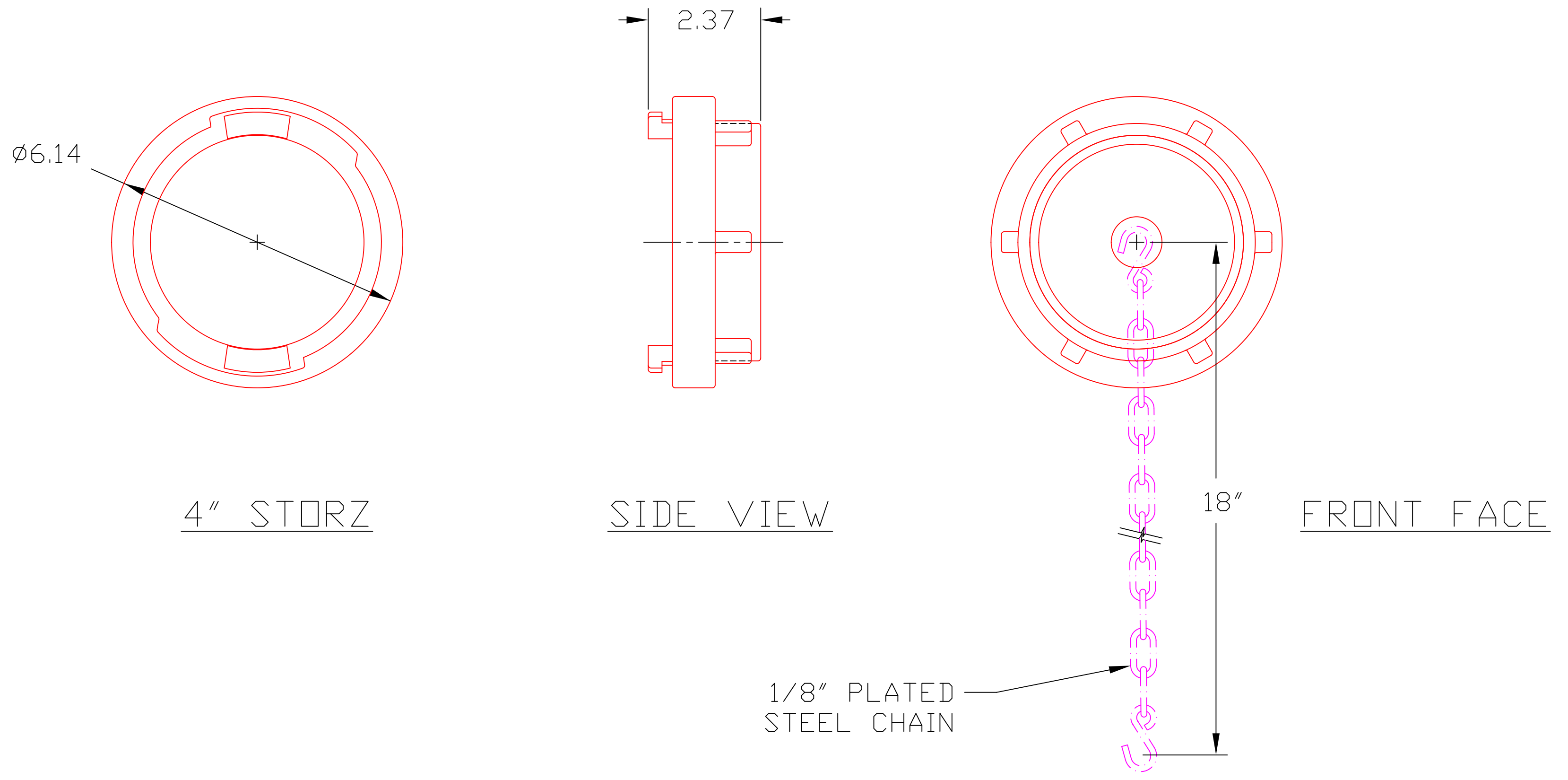


THE INFORMATION DISCLOSED HEREIN IS THE EXCLUSIVE PROPERTY OF FYRELANE USA AND IS NOT TO BE REPRODUCED AND MUST BE TREATED AS CONFIDENTIAL MATERIAL.

- NOTES: 1) ALL DIMENSIONS ARE IN INCHES.
 2) HEAD RING MATERIAL: 6061 FORGED ALUMINUM WITH T6 TEMPER.
 3) CAP INSERT MATERIAL: 6061 CAST ALUMINUM WITH T6 TEMPER.



TOLERANCES-UNLESS OTHERWISE NOTED ANGULAR $\pm 1^\circ$ FRACTION $\pm 1/16"$.XX ± 0.03 .XXX ± 0.10 MACHINE FINISH 125 ALL DIA. $\sqrt{.015 B}$ REMOVE ALL BURRS CORNERS $.06 \times 45^\circ$ FILLETS R.06						FYRELANE 8701 John Carpenter Frwy ? Suite 230 ? Dallas, Texas 75247 www.FyrelaneUSA.com				
						4" STORZ BLIND CAP				
						SIZE	SCALE	SHEET NO.	REV. NO.	REF. NO.
	0	RELEASED	5/25/18	JPM		NONE				ADPT-4.0ST-BC
REV.	DESCRIPTION	DATE	CHK'D	DRWN						