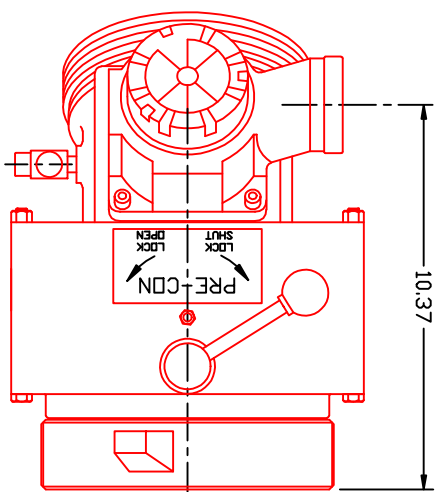
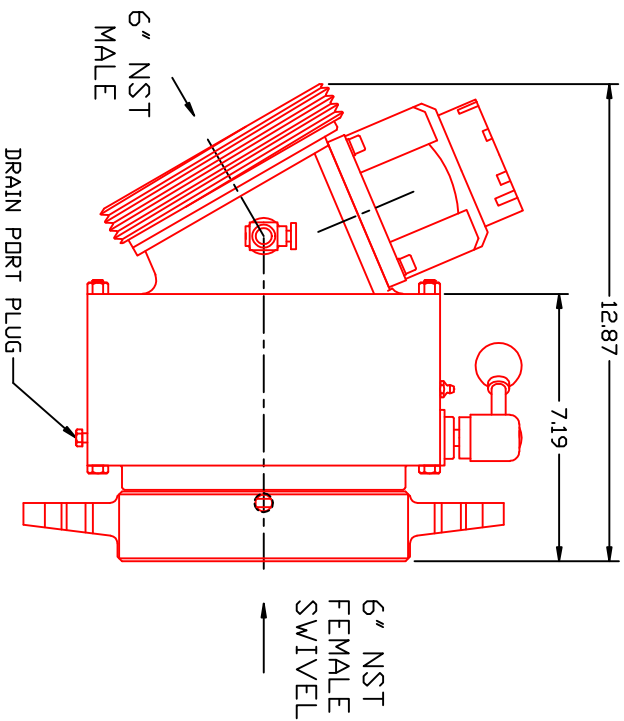
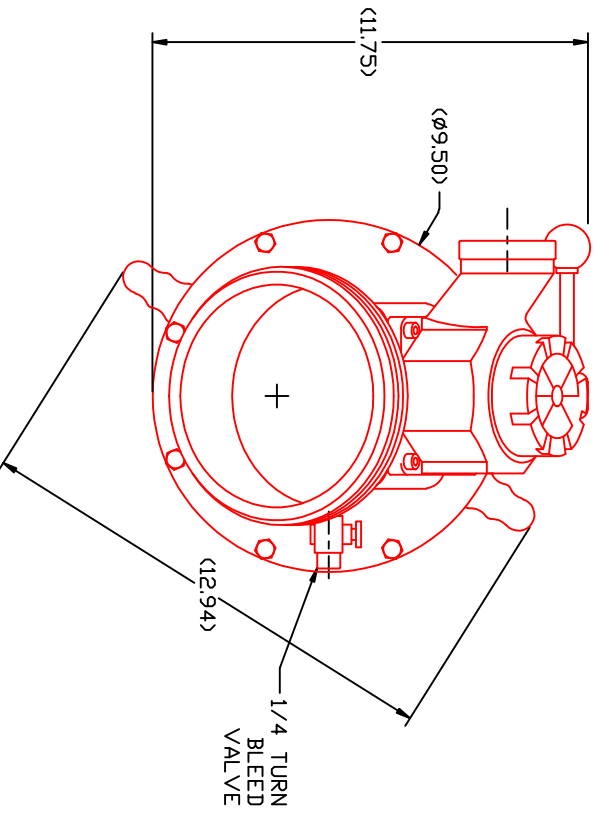


THE INFORMATION DISCLOSED HEREIN IS THE EXCLUSIVE PROPERTY OF HYDRA-SHIELD AND IS NOT TO BE REPRODUCED AND MUST BE TREATED AS CONFIDENTIAL MATERIAL.

NOTES: 1) AUTOMATIC SUCTION VALVE ACTIVATED BY WATER PRESSURE, PRIMER VACUUM, OR MANUAL CONTROL HANDLE.
 2) MATERIAL: HIGH STRENGTH, LIGHTWEIGHT ALLOY WITH CORROSION RESISTANT COATING.



TOLERANCES-UNLESS OTHERWISE NOTED	
ANGULAR $\pm 1^\circ$	
FRACTION $\pm 1/16''$	
XX ± 0.30	
XXX ± 0.10	
MACHINE FINISH 125	
ALL DIA. $\sqrt{.051E}$	
REMOVE ALL BURS	
CORNERS .06 \times 45°	
FILLETS R.06	

REV.	0	LAST CHANGE DATE	9/10/13	DATE		CHK'D	JPM	DRWN	
		DESCRIPTION							



HYDRA-SHIELD, INC.
2000 West Valley Road, Fresno, CA 93720

PRE-CON 30 AUTO. SUCTION VALVE ASSEMBLY

SIZE	SCALE	SHEET NO.	REV. NO.	REF. NO.
	NONE			PC30-6.0FS-6.0M