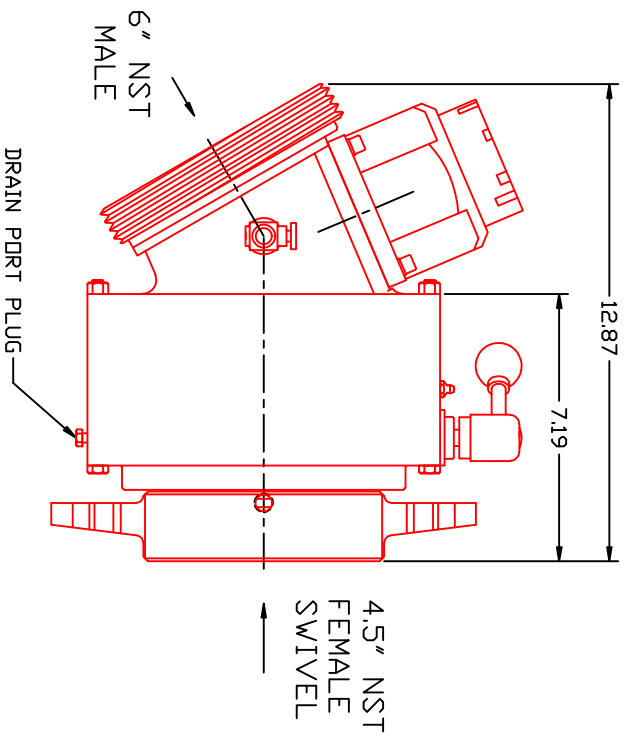
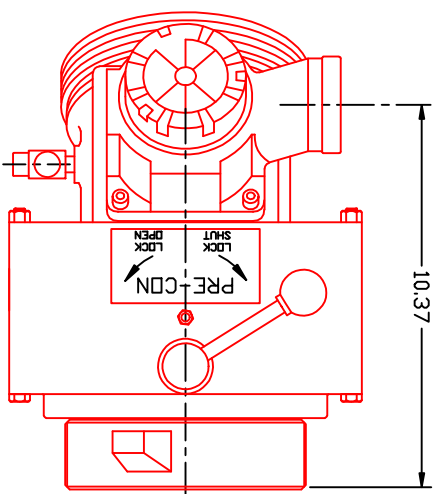
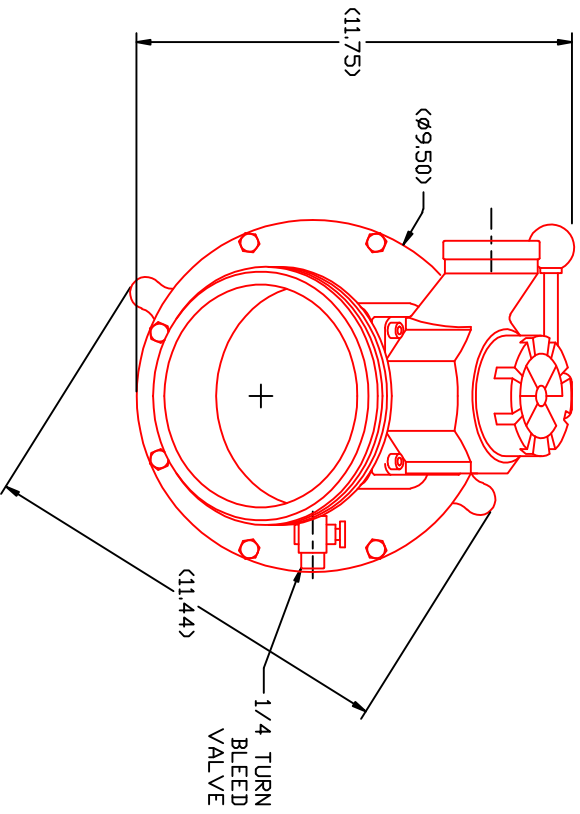


THE INFORMATION DISCLOSED HEREIN IS THE EXCLUSIVE PROPERTY OF HYDRA-SHIELD AND IS NOT TO BE REPRODUCED AND MUST BE TREATED AS CONFIDENTIAL MATERIAL.

NOTES: 1) AUTOMATIC SUCTION VALVE ACTIVATED BY WATER PRESSURE, PRIMER VACUUM, OR MANUAL CONTROL HANDLE;
2) MATERIAL: HIGH STRENGTH, LIGHTWEIGHT ALLOY WITH CORROSION RESISTANT COATING.



TOLERANCES-UNLESS OTHERWISE NOTED	ANGULAR ±1°
FRACTION ±1/16"	XX ±0.30
XXX ±0.01	MACHINE FINISH 125
ALL DIA. <input checked="" type="checkbox"/> ASME B	REMOVE ALL BURS
CORNERS .06-45°	FILETS R06

REV.	0	LAST CHANGE DATE	9/10/13	DESCRIPTION	DATE	CHK'D	DRWN
							JPM



HYDRA-SHIELD, INC.
2000 West Valley Road, Fresno, CA 93720

PRE-CON 30 AUTO. SUCTION VALVE ASSEMBLY

SIZE: NONE
SCALE: NONE
SHEET NO. REV. NO. REF. NO.
PC30-4.5FS-6.0M