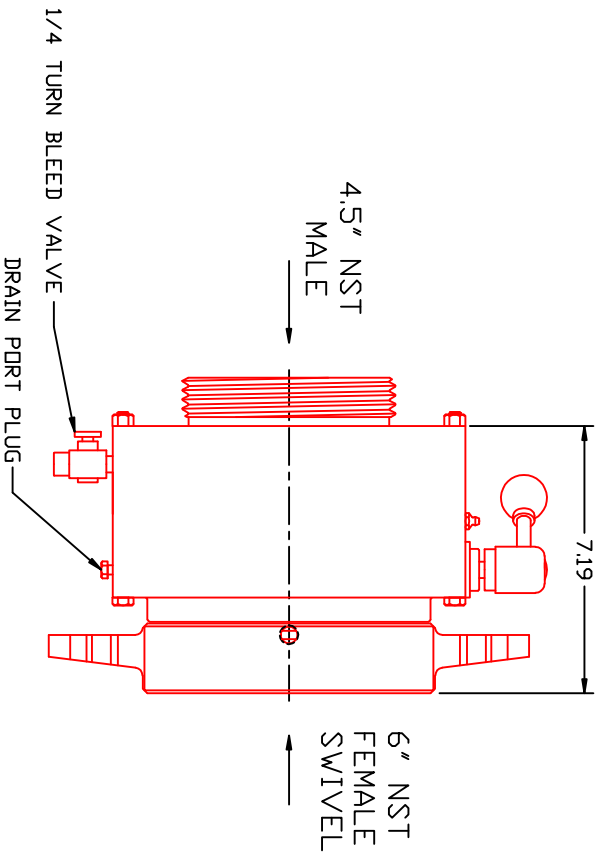
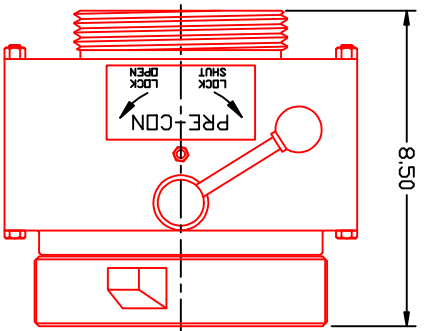
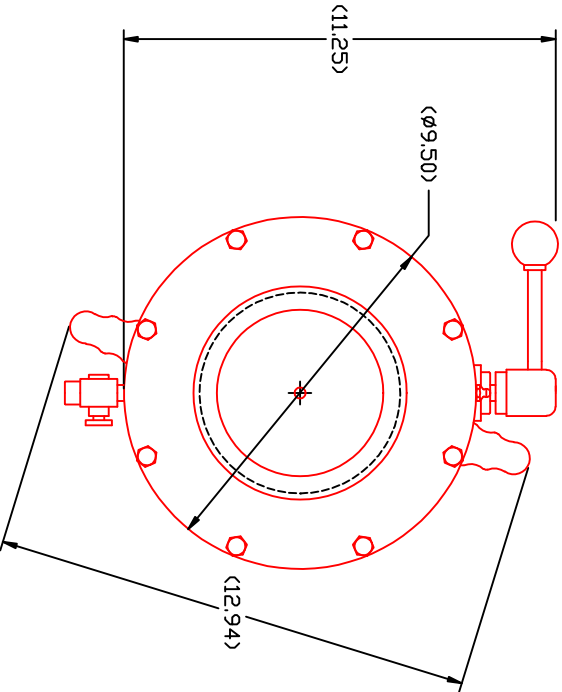


THE INFORMATION DISCLOSED HEREIN IS THE EXCLUSIVE PROPERTY OF HYDRA-SHIELD AND IS NOT TO BE REPRODUCED AND MUST BE TREATED AS CONFIDENTIAL MATERIAL.

NOTES: 1) AUTOMATIC SUCTION VALVE ACTIVATED BY WATER PRESSURE, PRIMER VACUUM, OR MANUAL CONTROL HANDLE;
2) MATERIAL: HIGH STRENGTH, LIGHTWEIGHT ALLOY WITH CORROSION RESISTANT COATING.



TOLERANCES-UNLESS OTHERWISE NOTED	ANGULAR ±1°
FRACTION 31/16"	XX ±.030
	XXX ±.010
MACHINE FINISH 125	ALL DIA. $\sqrt{.0015}$
REMOVE ALL BURS	CORNERS .06x45°
FILLETS R.06	

REV.	DESCRIPTION	DATE	CHK'D	DRWN
0	LAST CHANGE DATE 9/12/13			JPM



PRE-CON 3 AUTO. SUCTION VALVE ASSEMBLY

SIZE	SCALE	SHEET NO.	REV. NO.	REF. NO.
	NONE			PC3-6.0FS-4.5M