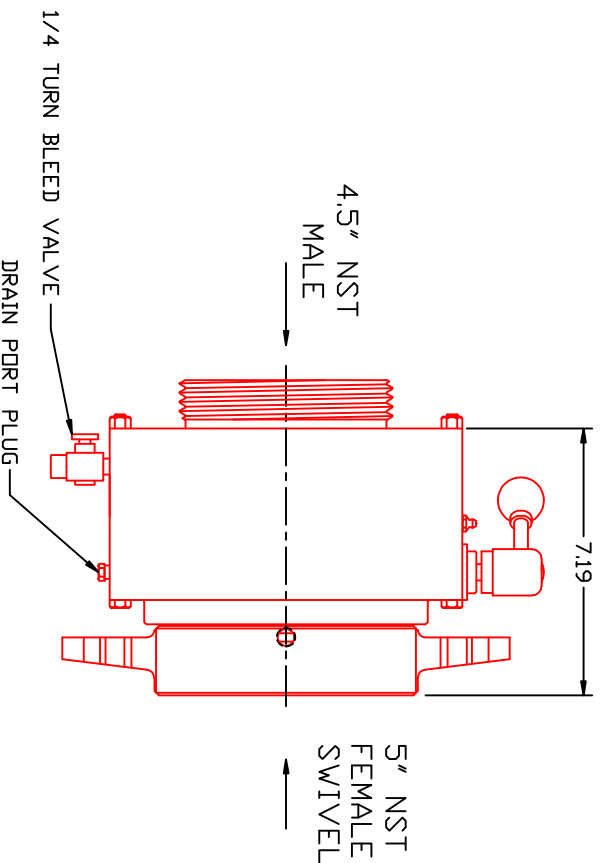
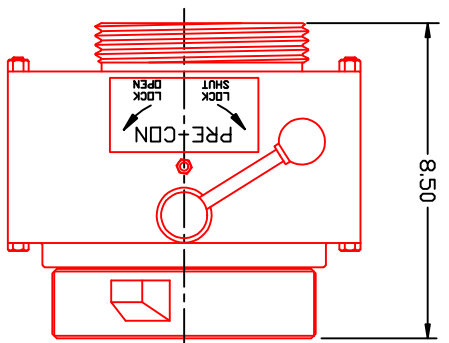
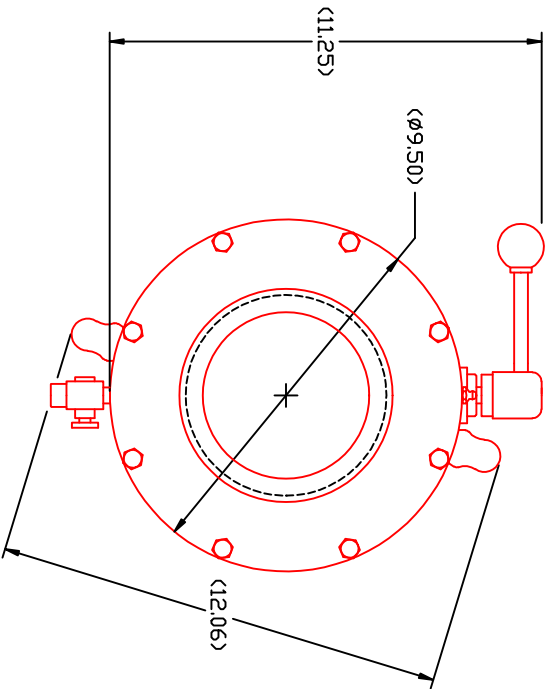


THE INFORMATION DISCLOSED HEREIN IS THE EXCLUSIVE PROPERTY OF HYDRA-SHIELD AND IS NOT TO BE REPRODUCED AND MUST BE TREATED AS CONFIDENTIAL MATERIAL.

NOTES: 1) AUTOMATIC SUCTION VALVE ACTIVATED BY WATER PRESSURE, PRIMER VACUUM, OR MANUAL CONTROL HANDLE.
 2) MATERIAL: HIGH STRENGTH, LIGHTWEIGHT ALLOY WITH CORROSION RESISTANT COATING.



| | |
|-----------------------------------|--------|
| TOLERANCES-UNLESS OTHERWISE NOTED | |
| ANGULAR | ±1° |
| FRACTION | ±1/16" |
| XX | ±0.30 |
| XXX | ±0.10 |
| MACHINE FINISH 125 | |
| ALL DIA. $\sqrt{.051E}$ | |
| REMOVE ALL BURS | |
| CORNERS .06x45° | |
| FILLET'S R.06 | |

| | | | | | | | | | |
|------|---|------------------|---------|------|--|-------|-----|------|-----|
| REV. | 0 | LAST CHANGE DATE | 9/12/13 | DATE | | CHK'D | JPM | DRWN | JPM |
| | | DESCRIPTION | | | | | | | |



HYDRA-SHIELD, INC.
2000 West Valley Road, Irving, Texas 75039

PRE-CON 3 AUTO. SUCTION VALVE ASSEMBLY

| | | | | |
|------|-------|-----------|----------|----------------|
| SIZE | SCALE | SHEET NO. | REV. NO. | REF. NO. |
| | NONE | | | PC3-5.0FS-4.5M |