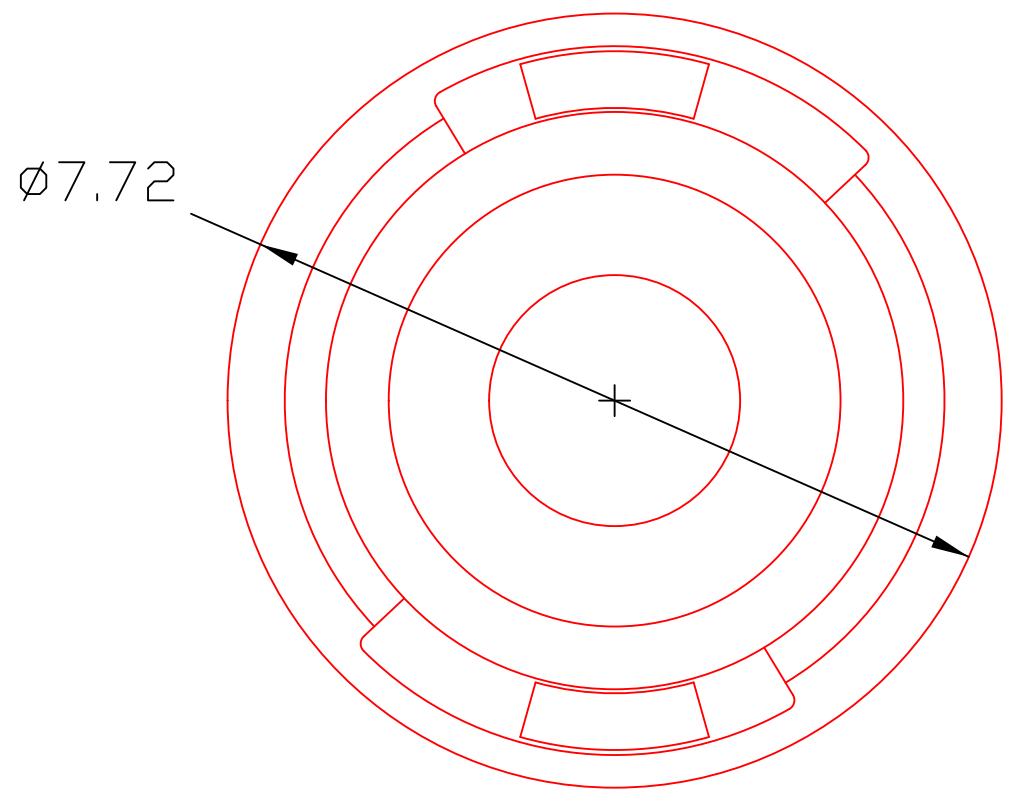
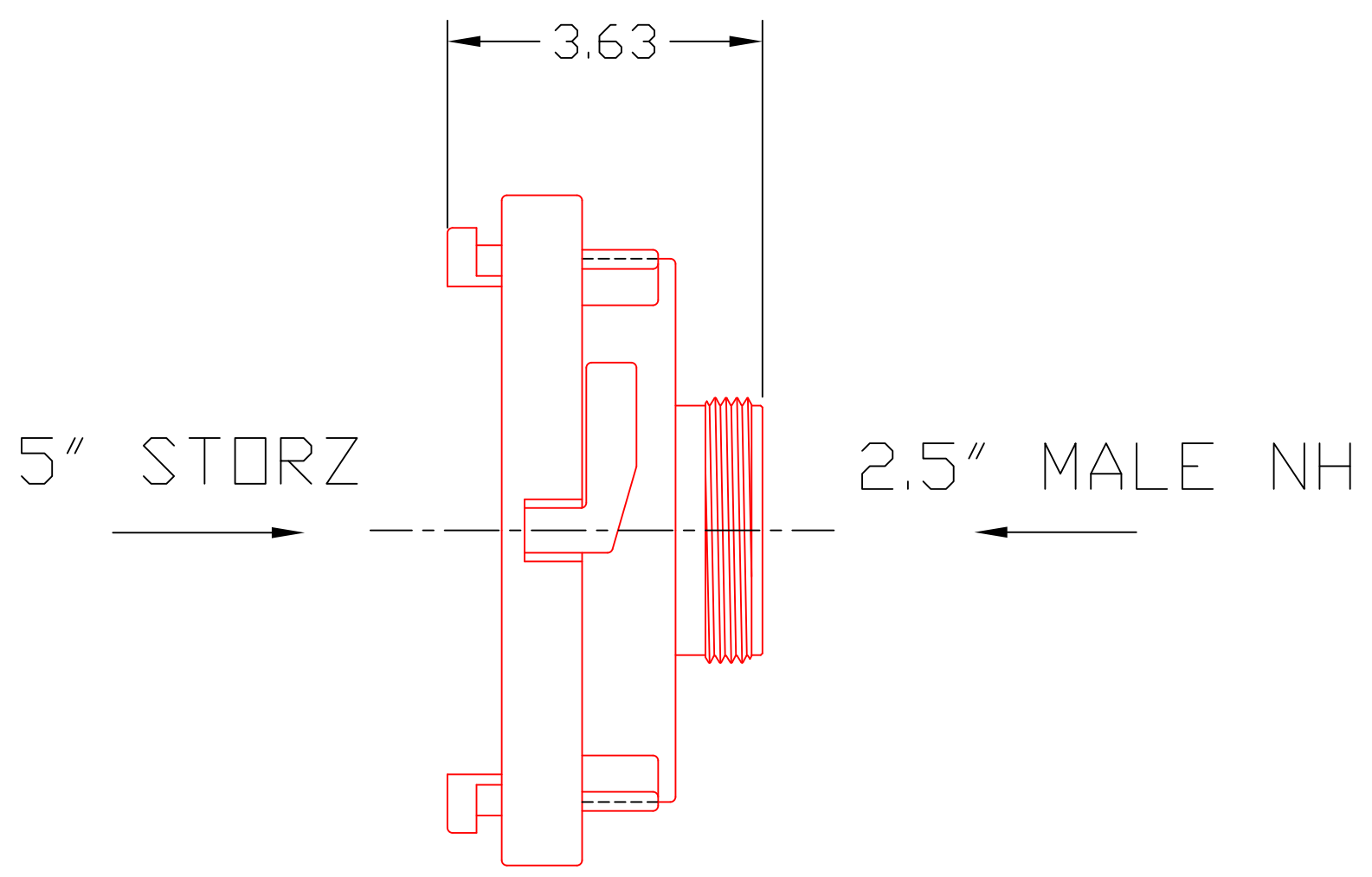


THE INFORMATION DISCLOSED HEREIN IS THE EXCLUSIVE PROPERTY OF FYRELANE USA AND IS NOT TO BE REPRODUCED AND MUST BE TREATED AS CONFIDENTIAL MATERIAL.

- NOTES: 1) ALL DIMENSIONS ARE IN INCHES.
 2) STORZ HEAD MATERIAL: 6061 FORGED ALUMINUM WITH T6 TEMPER.
 3) EXPANSION/REDUCER MATERIAL: 6061 EXTRUDED ALUMINUM WITH T6 TEMPER.



5" STORZ



SIDE VIEW

TOLERANCES-UNLESS OTHERWISE NOTED					
ANGULAR $\pm 1^\circ$					
FRACTION $\pm 1/16"$					
.XX ± 0.030					
.XXX ± 0.010					
MACHINE FINISH 125					
ALL DIA. $\sqrt{.015 B}$					
REMOVE ALL BURRS	0	RELEASED	12/12/17	JPM	
CORNERS $.06 \times 45^\circ$	REV.	DESCRIPTION	DATE	CHK'D	DRWN
FILLETS R.06					

FYRELANE^{USA}
 8701 John Carpenter Frwy • Suite 230 • Dallas, Texas 75247
 www.FyrelaneUSA.com

5" STORZ x 2.5" MALE NH
 ADAPTOR

SIZE	SCALE	SHEET NO.	REV. NO.	REF. NO.
	NONE			ADPT-5.0ST-2.5MNH